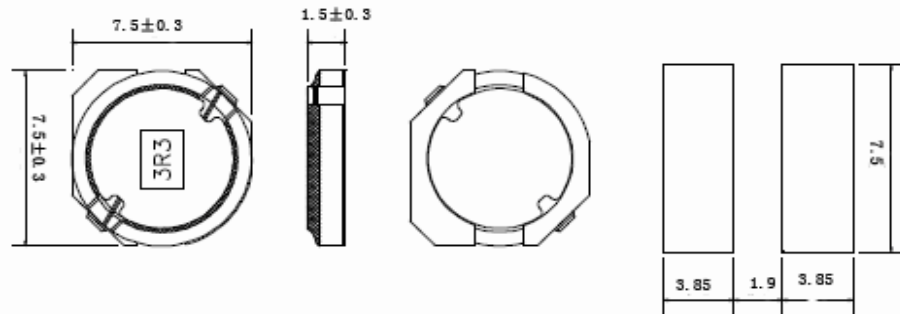


YKCDRI7D15



特征:

- 轻便薄小
- 大电流低直流阻抗
- 直接在磁芯上金属化电极，抗跌落冲击强，经久耐用
- 闭合磁路结构设计，漏磁少，抗 EMI 能力强
- 省空间，更省电
- 广泛应用于 LED 照明、平板电视、蓝光 DVD 机顶盒、笔记本电脑、台式电脑、服务器、显卡、便携式游戏机、个人导航系统、多媒体、汽车产品、通信设备

FEATURES:

- Compact and thin.
- Large Current and Low DCR.
- Metallization on Ferrite Core results in excellent shock resistance and damage-free durability
- Closed magnetic circuit design reduces leakage flux and Electro Magnetic Interference (EMI)
- Takes up less PCB real estate and save more power
- LED Lighting、Flat-screen TVs, blue-ray disc recorders, set top box、Notebooks, desktop computers, servers, graphic cards、Portable gaming devices, personal navigation systems, personal multimedia devices, Automotive systems Telecom base stations

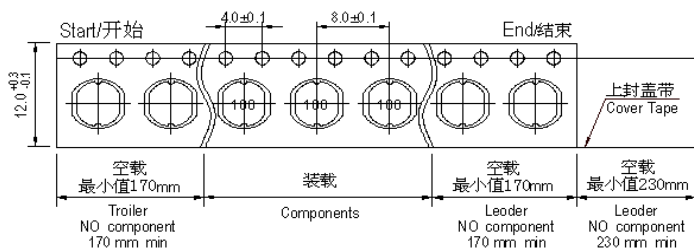
Inductance Range/电感范围: 3.3μH~10μH.

Temperature Range/使用温度: -30℃~100℃.

Electrical Characteristics/电气特性

Part No. 名称	Inductance 电感(μH)	Test Condition 测试条件	Tolerance 公差(%)	DC Resutance 直流电阻Max(Ω)	Rated Current 额定电流(A)
YKCDRI7D15-3R3	3.30	100KHz, 0.1	±20	0.050	3.00
YKCDRI7D15-4R7	4.70	100KHz, 0.1	±20	0.800	2.50
YKCDRI7D15-6R8	6.80	100KHz, 0.1	±20	0.110	2.20
YKCDRI7D15-8R2	8.20	100KHz, 0.1	±20	0.120	2.00
YKCDRI7D15-100	10.00	100KHz, 0.1	±20	0.170	1.50

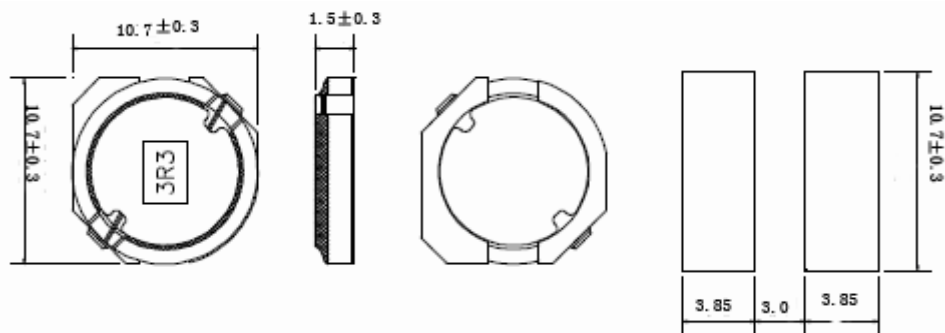
Packaging/包装方式 5000PCS/REEL



Sans Plomb (SGS Certified Result) 本产品满足环境保护要求(有害物质限用)					
 sans plomb					
pb 铅	Cd 镉	Cd 汞	六价铬 Cr+6	多溴联苯 PBBs	多溴联醚 PBDEs
<1000PPm	Nd	Nd	Nd	Nd	Nd

- 1、Inductance is measured with a LCR meter: VR1153 LCR +DCR or equivalent. Test frequency at 100kHz.
 - 2、DC resistance is measured with a Digital Multimeter VR1153 LCR+DCR or equivalent.
 - 3、The DC Bias test with VR1153 & VR7210, The maximum allowable current is a DC current which causes initial inductance to decrease by 25%. or temperature to rise by 40℃, whichever is smaller. (At ambient reference temperature: 20℃).
- 1、电感值测试仪: VR1153 LCR+DCR 或同等 LCR Meter. 测试频率 100KHz.
 - 2、直流电阻测试仪: VR1153 LCR+DCR 或同等的 DCR 测试设备.
 - 3、最大容许电流测试: VR1153 & VR7210; 最大容许电流定义: 电感下降 25% 或温度上升 40℃ 时取其小值作为最大容许电流。(周围环境温度 20℃).

YKCDRI10D15



特征:

- 轻便薄小
- 大电流低直流阻抗
- 直接在磁芯上金属化电极，抗跌落冲击强，经久耐用
- 闭合磁路结构设计，漏磁少，抗 EMI 能力强
- 省空间，更省电
- 广泛应用于 LED 照明、平板电视、蓝光 DVD 机顶盒、笔记本电脑、台式电脑、服务器、显卡、便携式游戏机、个人导航系统、多媒体、汽车产品、通信设备

FEATURES:

- Compact and thin.
- Large Current and Low DCR.
- Metallization on Ferrite Core results in excellent shock resistance and damage-free durability
- Closed magnetic circuit design reduces leakage flux and Electro Magnetic Interference (EMI)
- Takes up less PCB real estate and save more power
- LED Lighting、Flat-screen TVs、blue-ray disc recorders、set top box、Notebooks、desktop computers、servers、graphic cards、Portable gaming devices、personal navigation systems、personal multimedia devices、Automotive systems Telecom base stations

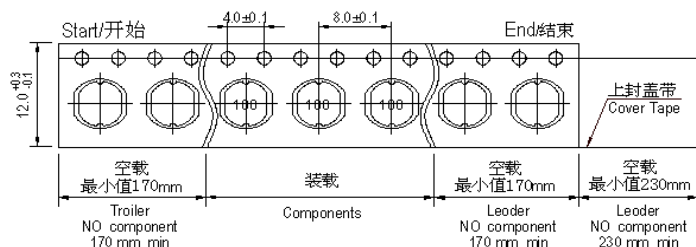
Inductance Range/电感范围: 3.3μH~10μH.

Temperature Range/使用温度: -30℃~100℃.

Electrical Characteristics/电气特性

Part No. 名称	Inductance 电感(μH)	Test Condition 测试条件	Tolerance 公差(%)	DC Resistance 直流电阻Max(Ω)	Rated Current 额定电流(A)
YKCDRI10D15-3R3	3.30	100KHz,0.1	±20	0.055	4.00
YKCDRI10D15-4R7	4.70	100KHz,0.1	±20	0.700	3.50
YKCDRI10D15-6R8	6.80	100KHz,0.1	±20	0.110	3.00
YKCDRI10D15-8R2	8.20	100KHz,0.1	±20	0.130	2.50
YKCDRI10D15-100	10.00	100KHz,0.1	±20	0.143	2.20

Packaging/包装方式 5000PCS/REEL



Sans Plomb (SGS Certified Result) 本产品满足环境保护要求(有害物质限用)					
 sans plomb					
pb 铅	Cd 镉	Cd 汞	六价铬 Cr+6	多溴联苯 PBBs	多溴联醚 PBDEs
<1000PPm	Nd	Nd	Nd	Nd	Nd

- 1、Inductance is measured with a LCR meter: VR1153 LCR +DCR or equivalent. Test frequency at 100kHz.
 - 2、DC resistance is measured with a Digital Multimeter VR1153 LCR+DCR or equivalent.
 - 3、The DC Bias test with VR1153 & VR7210, The maximum allowable current is a DC current which causes initial inductance to decrease by 25%. or temperature to rise by 40℃, whichever is smaller. (At ambient reference temperature: 20℃).
- 1、电感值测试仪: VR1153 LCR+DCR 或同等 LCR Meter. 测试频率 100KHz.
 - 2、直流电阻测试仪: VR1153 LCR+DCR 或同等的 DCR 测试设备.
 - 3、最大容许电流测试: VR1153 & VR7210; 最大容许电流定义: 电感下降 25% 或温度上升 40℃ 时取其小值作为最大容许电流。(周围环境温度 20℃)。